

VT-TIMER CUT OUT (6 MINUTES) - 12V & 24V LATCHING CUT OUT DEVICE

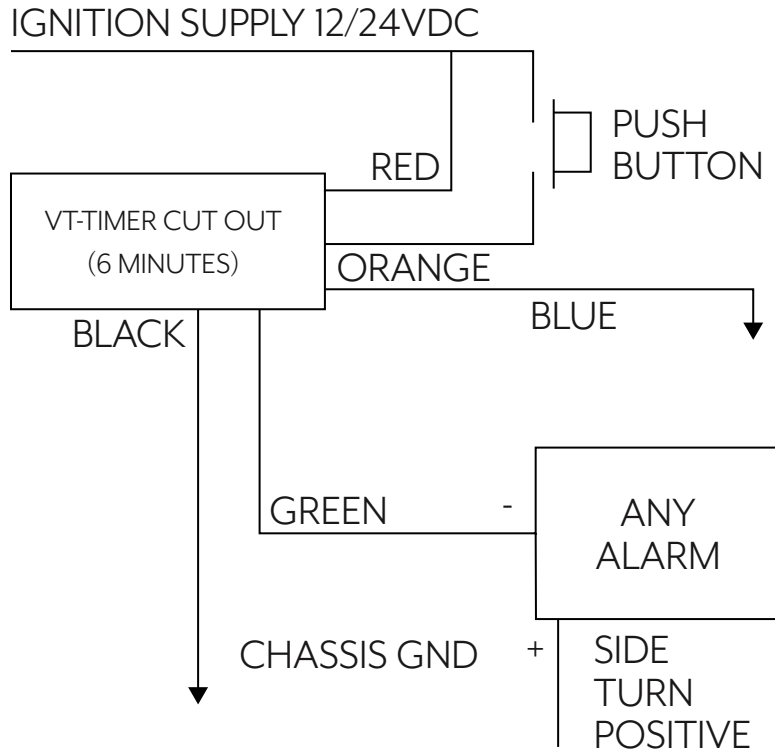
The VT-TIMER CUT OUT (6 MINUTES) should be fitted in any alarm positive or negative feed circuit, as per the diagram.

Press push button
to silence alarm

Press again
to re-enable

Cycle ignition
to reset

SWITCH NEGATIVE CIRCUIT



SWITCH POSITIVE CIRCUIT

