

VT-C30-FHD



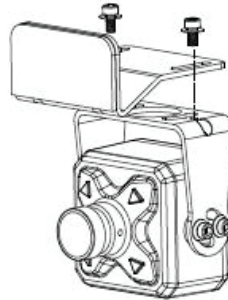
VT-C30-FHD

1080P MINI FORWARD-FACING CAMERA

Full 1080P Forward-facing camera in a secure metal housing .

Key features:

- AI metal-cased mini housing with megapixel fixed lens
- Low power consumption
- Wide dynamic range
- High sensitivity, Starlight



Operation Procedures:

1. Remove the lens cap (1).
2. Tear off 3M glue from covering layer, fixed the camera on the right location.
3. Connect the camera to 4pin din jack as below diagram.
4. Adjust camera position by loosening the fixed screw (4).
Adjust the focus sharpness of the lens (2) by loosening the focus-lock screw (3).
5. Re-tighten the all fixed screws.



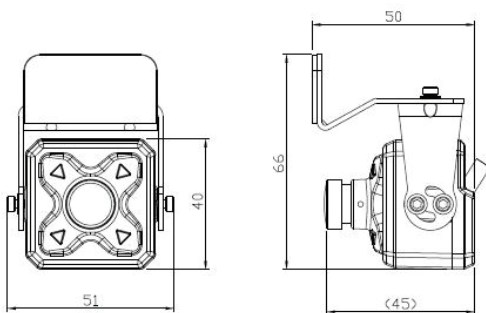
t +44 (0) 1246 225 745
e info@visiontrack.com
w visiontrack.com
s support.visiontrack.com

VT-C30-FHD

Specifications:

Image Sensor	1/2.8" IMX 307
TV System	PAL/NTSC (optional)
Picture Elements	1920 (H) x 1080 (V)
Sensitivity	0.01 Lux/F1.2
Scanning System	Progressive scan RGB CMOS
Synchronization	Internal
Auto Gain Control (AGC)	Auto
Electronic Shutter	Auto
BLC	Auto
Infrared Spectrum	N/A
Infrared LED	N/A
Video Output	1 Vp-p, 75Ω, AHD
Audio Output	N/A
Mirror	Optional
Noise Reduction	3D
Lens	f2.1mm Megapixel
HFOV	136 ± 5 degree
DFOV	158 ± 5 degree
Power Supply	12V DC±10%
Power Consumption	130mA (Max)
Dimensions	66 (L) x 51(W) x 50 (H) mm
Net Weight	108g
Weatherproof/Water Proof	N/A
Operating Temperature	-30° C ~ +70 ° C

Dimensions:



t +44 (0) 1246 225 745

e info@visiontrack.com

w visiontrack.com

s support.visiontrack.com