

VT4500



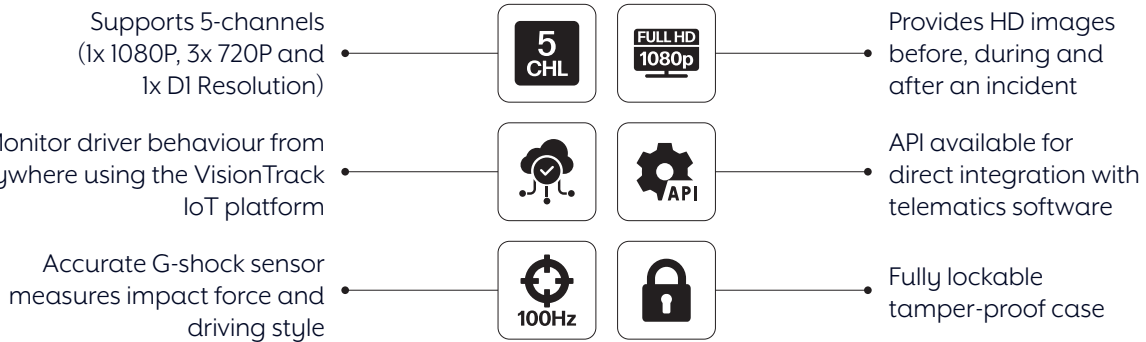
VT4500



5CH 4G MOBILE DIGITAL VIDEO RECORDER

The **VT4500** is a compact mobile digital video recorder (MDVR) that supports our full range of multi-channel cameras, monitors and fleet safety devices. This five-channel solution offers 360° coverage of a vehicle, providing excellent footage and picture clarity that is uploaded automatically to our multi-award-winning IoT platform in the event of an incident.

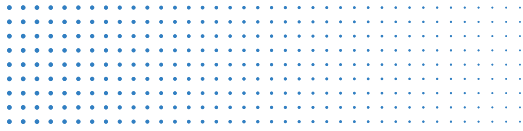
Key features:



Awards:



t +44 (0) 1246 225 745
e info@visiontrack.com
w www.visiontrack.com
s support.visiontrack.com



VT4500

Specifications:

Video In	1x 1080P, 3x 720P and 1x D1 Resolution
Audio In	5 camera channels
AV Out	1 video out, 1 audio out
Band Support	LTE: B1/B3/B7/B8/B20 (EU) B2/B4/B5 (NF) WCDMA: B1/B8 (EU) B2/B5 (NF)
Max Data Rate	UL: 5.76Mbps, DL: 7.2Mbps
Video Resolution	1080P HD (1920x1080), 720P (1280x720), D1 (NTSC: 720x480, PAL 720x576)
Recording Speed	Full HD: 30fps (25fps), HD: 60fps (50fps) D1: Up to 120fps (NTSC) or 100fps(PAL)
Recording Mode	Continuous, Event, Dual Mode
Memory	Supports 32GB, 64GB (FAT32), 128GB (FAT32) or 512GB SSD
G-Sensor	Internal 3-axis G-sensor
Gyro	3-axis (X,Y,Z), output rate: 100 Hz
RTC	Internal battery
Alarm In/Out	4x alarm in, 1x alarm out
Remote Controller	3x LED, panic button, M1 & M2 button
LED	Green LED (Network), blue LED (Record), red LED (Warning)
Super Capacitor	Enables recording of last file and shutdown
Power Input	DC 12V/24V 3A
Delayed Power Shutdown	Supports delayed power shutdown
Size/Weight	195(W) x 108.3(L) x 30.5(H)mm
Operation Temp.	-10°C~55°C

t +44 (0) 1246 225 745

e info@visiontrack.com

w www.visiontrack.com

s support.visiontrack.com